

LED HighBay

Microwave Motion Sensor
Daylight Sensor, Dimming available



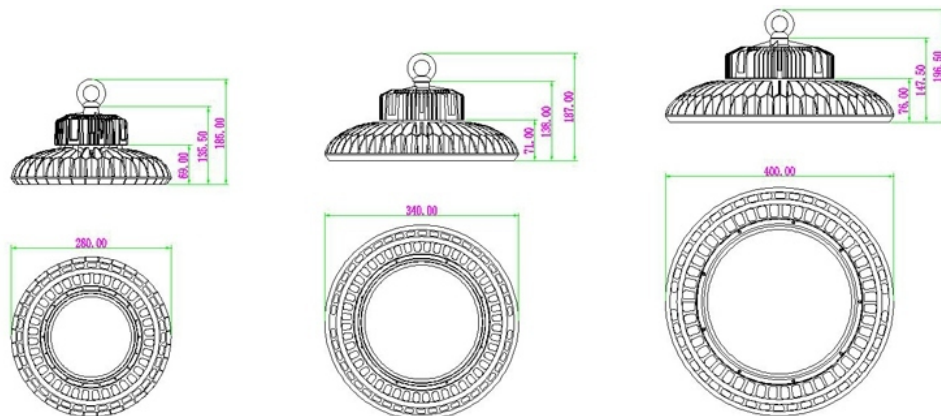
Specification:

| Model | LST-HBU-80WAN-YYK | LST-HBU-100WAN-YYK | LST-HBU-120WAN-YYK | LST-HBU-150WAN-YYK | LST-HBU-200WAN-YYK |
|---------------------|--------------------------|--------------------|--------------------|--------------------|--------------------|
| LED | Philips | | | | |
| LED Driver | Meanwell | | | | |
| Lumens | 10400-11200lm | 13000-14000lm | 15600-16800lm | 19500-21000lm | 26000-28000lm |
| Certi?cate | DLC ETL cETL SAA CE RoSH | | | | |
| Voltage | AC100-277V/347V/480V | | | | |
| Frequency | 50/60Hz | | | | |
| PF | >0.95 | | | | |
| CCT | 3000-6500K | | | | |
| CRI | >75Ra | | | | |
| Beam Angle | 60/90/120 ° | 60/90/120 ° | 60/90/120 ° | 60/90/120 ° | 60/90/120 ° |
| Housing Material | AL | | | | |
| Working Temperature | -40 ~+60 | | | | |
| Life Span | >50,000hrs | | | | |
| Power Ef?ciency | 92% | | | | |
| Warranty | 5 years | | | | |

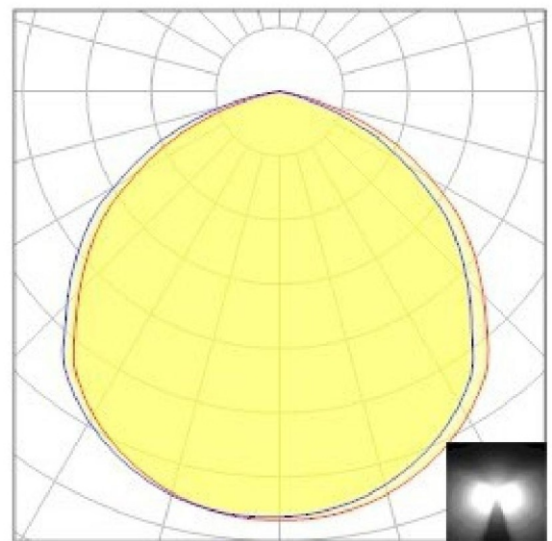
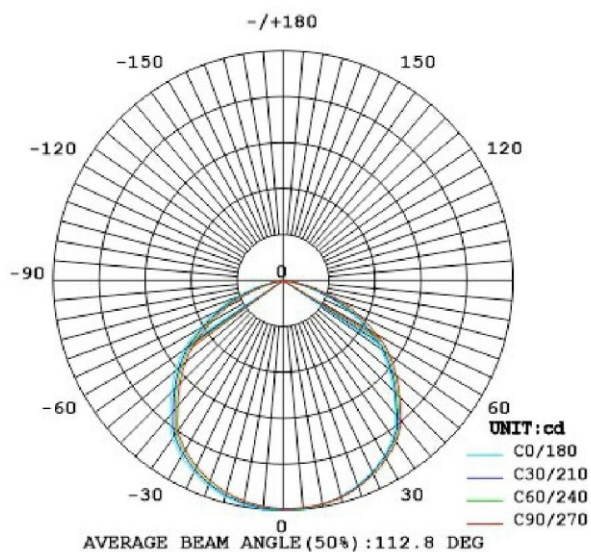
■ Characteristics

- Philips chip LED, high luminous efficiency >150lm/w and long life >50,000hrs
- Meanwell driver used, Universal voltage AC100-277V/347V/480V available Good
- heat dissipation die-casting aluminum, better cooling light quality, LED TH< 65
- Ip65 rating for outdoor use available

■ Dimensions



■ Distribution Curve



■ Installation

