

**POLY-CRYSTALLINE SOLAR MODULE 36 CELLS - 52x39 mm**



High reliability with guaranteed 0 to +5W power output tolerance



Excellent performance under different light conditions



25 Year Linear Power Warranty on the production to cover the investment



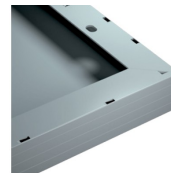
Passing mechanical load test of 5400 Pa to withstand heavier snow load and 2400 Pa to withstand wind pressure



**RELIABLE PERFORMANCES**

- World class manufacturer of crystalline silicon photovoltaic modules
- Production capacity of over 300MW/year
- Production facility and products certified under the most restrictive international standards
- Very high quality production process with continuous improving investments

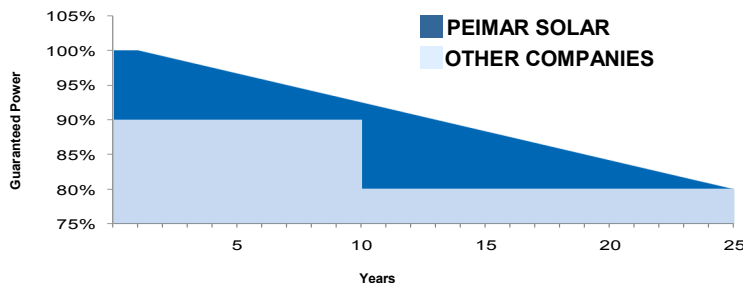
**COMPACT AND DURABLE FRAME**



Ultra-light aluminum frame with 40mm thickness to handle the panel in a easier way

**LINEAR PERFORMANCE WARRANTY**

10 Year Product Warranty • 25 Year Linear Power Warranty



**IP65 JUNCTION BOX**



Able to withstand the most varied atmospheric conditions

ELECTRICAL CHARACTERISTICS	OS10P
Nominal Output (Pmax) [W]	10
Flash Test Power Classification [W]	0 / +5
Voltage at Pmax (Vmp) [V]	16.5
Current at Pmax (Imp) [A]	0.61
Open Circuit Voltage (Voc) [V]	20
Short Circuit Current (Isc) [A]	0.70
Maximum System Voltage [V]	IEC: 1000 / UL: 600
Maximum Series Fuse Rating [A]	15
Cell Efficiency [%]	13.70
Module Efficiency [%]	9.84

STC\* (Standard Test Condition): Irradiance 1000W/m<sup>2</sup>, Module Temperature 25°C, Air Mass 1.5

TEMPERATURE CHARACTERISTICS	
NOCT**	45±2 °C
Temperature Coefficient of Pmax	-0.43 %/°C
Temperature Coefficient of Voc	-0.32 %/°C
Temperature Coefficient of Isc	0.047 %/°C
Operating Temperature	-40 °C ~ +85 °C

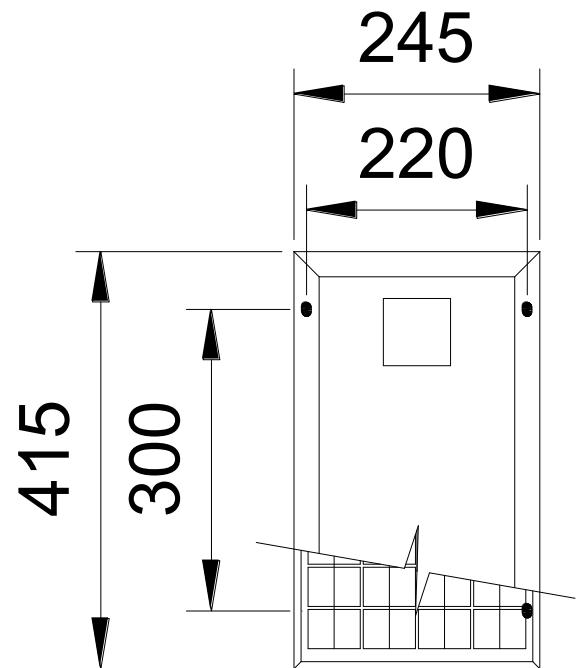
NOCT\*\*: Nominal Operation Cell Temperature Sun 800W/m<sup>2</sup>; Air 20°C; Wind speed 1m/s

MECHANICAL CHARACTERISTICS	
Solar Cells	36(4x9) poly-crystalline cells 52x39 mm
Front Cover	3.2 mm thick, low iron tempered glass
Back Cover	TPT (Tedlar-PET-Tedlar)
Encapsulant	EVA (Ethylene vinyl acetate)
Frame	Anodized aluminium alloy, double wall
Diodes	3 Bypass diodes serviceable
Junction Box	IP65 rated
Connector	n.a.
Cables	n.a.
Dimensions	415 x 245 x 17 mm
Weight	1.3 kg
Max. Load	Certified to 5400 Pa

PACKING CONFIGURATION	
Packaging dimensions	435 x 260 x 30 mm
Pieces per package	100 pcs
Weight	240 kg

\* Pallets can not be stacked

## DIMENSIONS



## CURRENT/VOLTAGE CHARACTERISTICS

